

# Point-of-use Panels

## FPR-1 Series Compact Regulators for Low Pressure

### Features

- ⦿ With a FLR-1 Series Regulator
- ⦿ With metal diaphragm regulators
- ⦿ Shutoff valves with window to visually indicate open and closed states
- ⦿ Anodized Aluminium panel, easy to install
- ⦿ Regulator body of 316L SS or Brass optional
- ⦿ Three configurations available

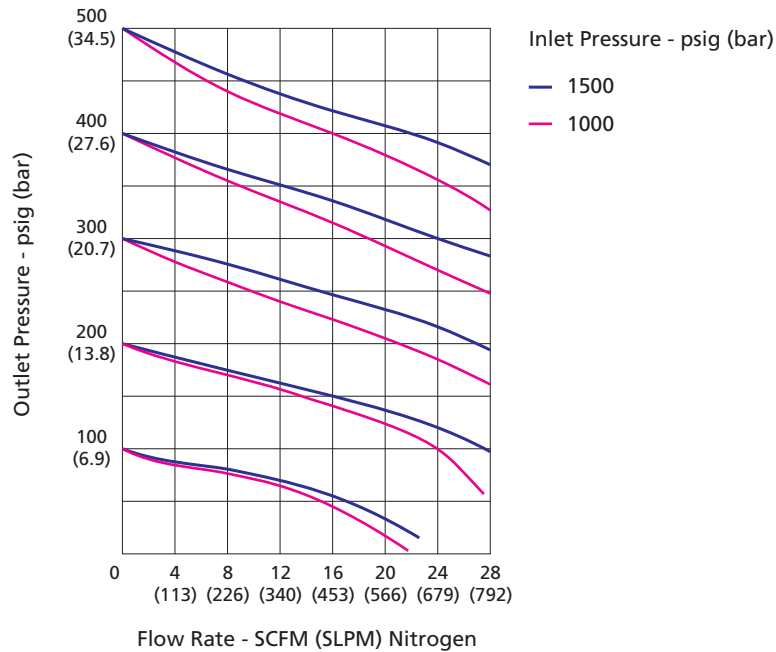
### Technical Data

- ⦿ Maximum inlet pressure: 1500 psig
- ⦿ Outlet pressure range: 0~25, 0~50, 0~100, 0~250 or 0~500 psig
- ⦿ Material of the main components:
  - Seat: PCTFE (regulator and diaphragm valve)
  - Diaphragm: Hastelloy (regulator), Elgiloy (diaphragm valve)
  - Diaphragm valve body: 316L
  - Filter: 316L
- ⦿ Temperature: -10°F~+150°F (-23°C~+65°C)
- ⦿ Leak rates:
  - Internal:  $\leq 1 \times 10^{-7}$  mbar·l/s helium
  - External:  $\leq 1 \times 10^{-9}$  mbar·l/s helium
- ⦿ Flow coefficient (regulator Cv): 0.14



Model: FPR-1U6L-15-50-11-B-11

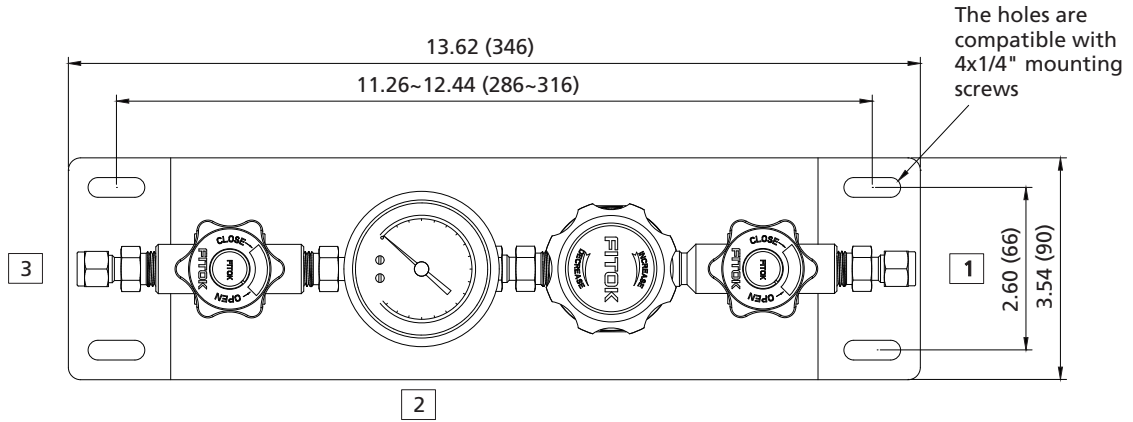
### Typical Flow Chart



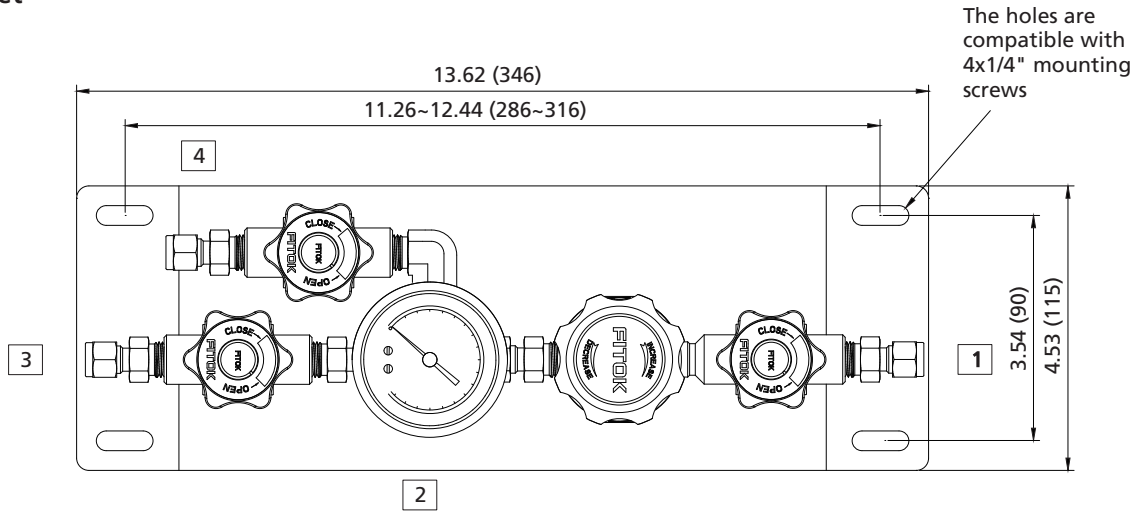
## Dimensions

Dimensions, in inches (millimeters), are for reference only.

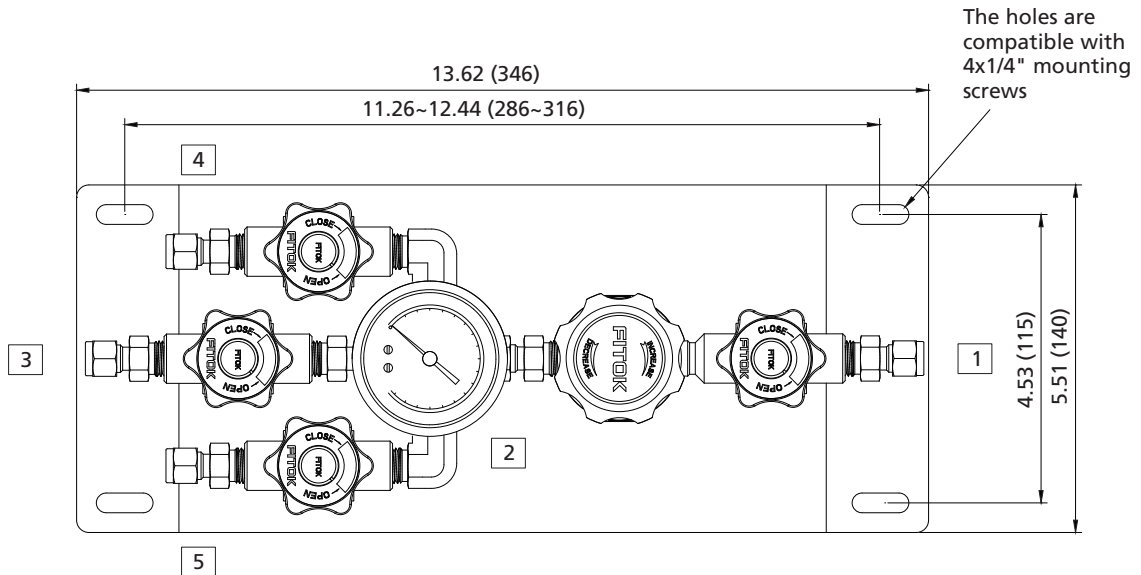
### Single-outlet



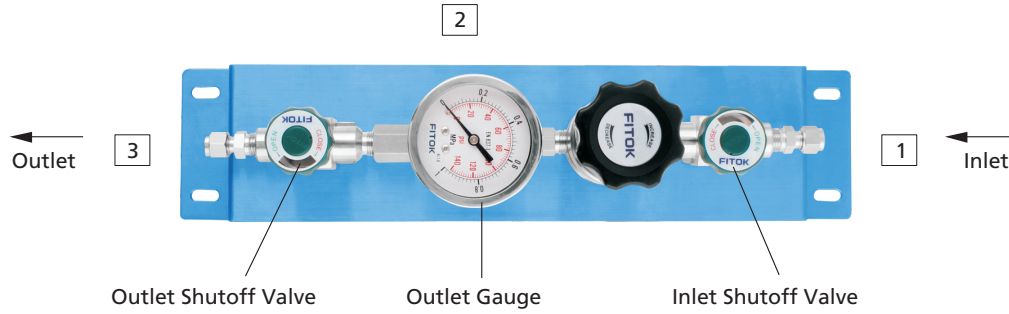
### Dual-outlet



### Triple-outlet



## Components Introduction



## Part Number Description

FPR - 1C 6L - 15 - 100 - 10 - M - 10 - 00 - 00

Outlet Option		Inlet Pressure P1		Connection 1		Connection 2		Connection 3		Connection 4	
U	Single-outlet	15	1500 psig	00	1/4" Female NPT	B	With Gauge (psi/bar)	00	1/4" Female NPT	Same as Connection 1	
T	Dual-outlet	<b>Outlet Pressure Range P2</b> 25 0~25 psig 50 0~50 psig 100 0~100 psig 250 0~250 psig 500 0~500 psig		01	1/4" Male NPT	M	With Gauge (psi/MPa)	01	1/4" Male NPT	<b>Connection 5</b> Same as Connection 1	
C	Triple-outlet			10	1/4" Tube Fitting	P	Plug	10	1/4" Tube Fitting		
<b>Body Material (Regulator)</b> 6L 316L SS SS 316 SS HC Hastelloy C-276 B Brass (Nickel-plated)				11	3/8" Tube Fitting	00	1/4" Female NPT	11	3/8" Tube Fitting		
				20	6 mm Tube Fitting	Other connections are available upon request		20	6 mm Tube Fitting		
				21	8 mm Tube Fitting			21	8 mm Tube Fitting		
				Other connections are available upon request				Other connections are available upon request			

Note: Before ordering, please read **Installation Instructions and Cautions** on A-77.

Examples of part number:

- a. 2-port type (1 in, 1 out): FPR-1U6L-15-50-11-B-11
- b. 3-port type (1 in, 2 out): FPR-1TSS-15-100-00-B-00-00

# Point-of-use Panels

## FPR-1S Series Sensitive Regulators for Low Pressure

### Features

- ⦿ With a FCR-1S Series Regulator of large diameter metal diaphragm to provide accurate pressure control
- ⦿ Shutoff valves with window to visually indicate open and closed states
- ⦿ Anodized Aluminium panel, easy to install
- ⦿ Three port configurations available

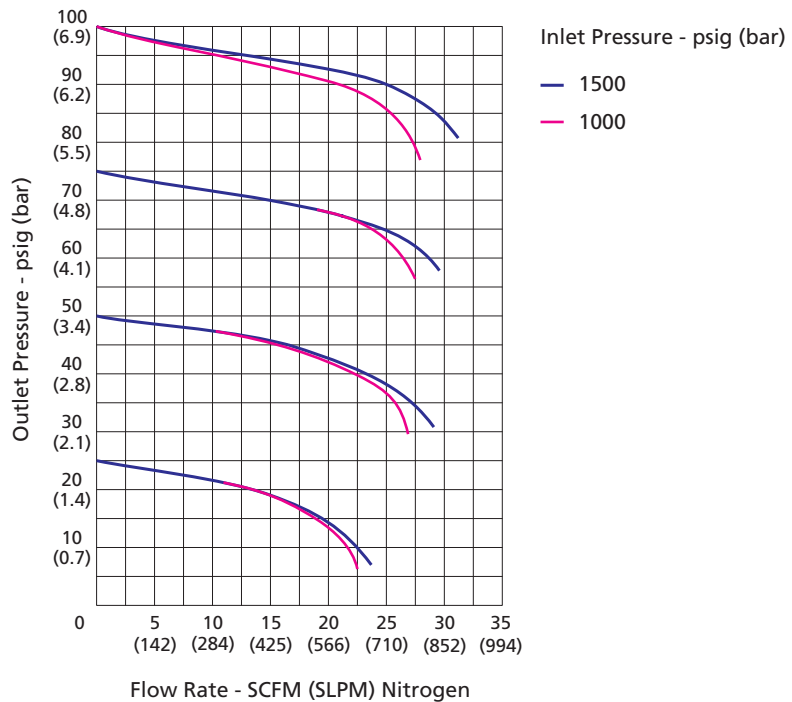
### Technical Data

- ⦿ Maximum inlet pressure: 1500 psig
- ⦿ Outlet pressure range: 0~25, 0~50, 0~100, 0~150 or 0~200 psig
- ⦿ Material of the main components:
  - Seat: PCTFE (regulator and diaphragm valve)
  - Diaphragm: 316L (regulator), Elgiloy (diaphragm valve)
  - Diaphragm valve body: 316L
  - Filter: 316L
- ⦿ Temperature: -10°F~+150°F (-23°C~+65°C)
- ⦿ Leak rates:
  - Internal:  $\leq 1 \times 10^{-7}$  mbar·l/s helium
  - External:  $\leq 1 \times 10^{-9}$  mbar·l/s helium
- ⦿ Flow coefficient (regulator Cv): 0.06



Model: FPR-1SUSS-15-50-10-B-10

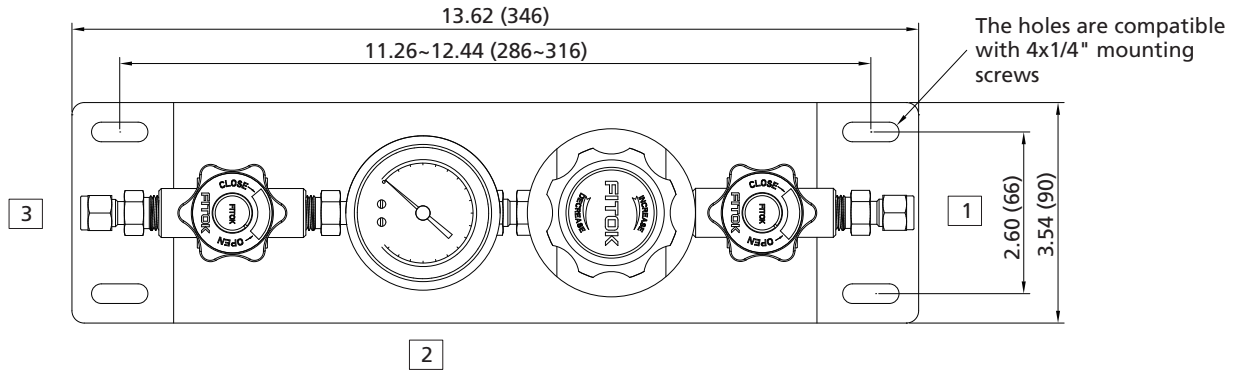
### Typical Flow Chart



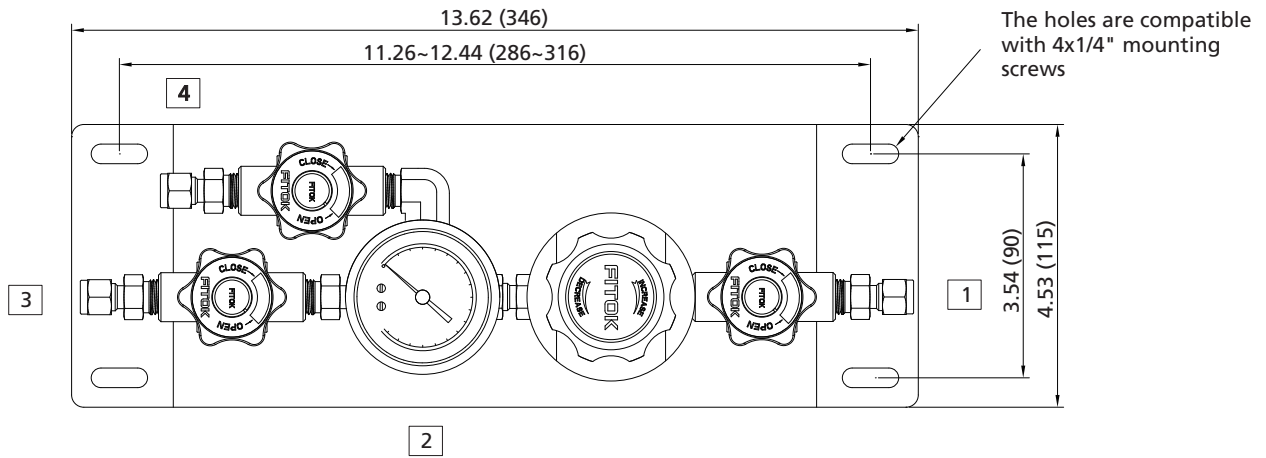
## Dimensions

Dimensions, in inches (millimeters), are for reference only.

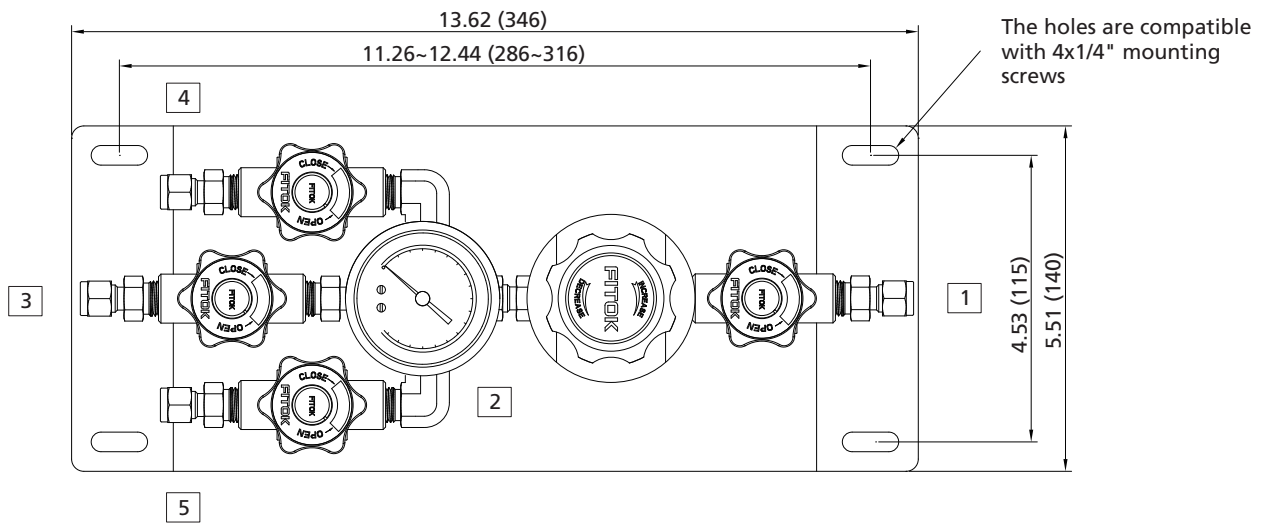
### Single-outlet



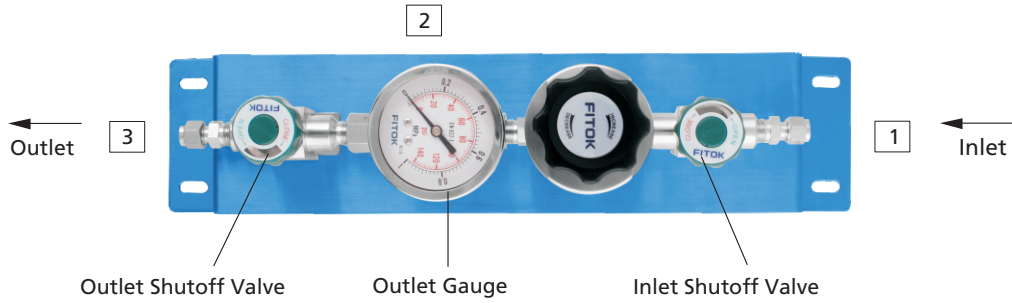
### Dual-outlet



### Triple-outlet



# Components Introduction



## Part Number Description

FPR - 1SC 6L - 15 - 100 - 10 - M - 10 - 00 - 00

Outlet Option		Inlet Pressure P1		Connection 1		Connection 2		Connection 3		Connection 4	
U	Single-outlet	15	1500 psig	00	1/4" Female NPT	B	With Gauge (psi/bar)	00	1/4" Female NPT	Same as Connection 1	
T	Dual-outlet	Outlet Pressure Range P2		01	1/4" Male NPT	M	With Gauge (psi/MPa)	01	1/4" Male NPT	Connection 5 Same as Connection 1	
C	Triple-outlet			10	1/4" Tube Fitting	P	Plug	10	1/4" Tube Fitting		
Body Material (Regulator)		25	0~25 psig	11	3/8" Tube Fitting	00	1/4" Female NPT	11	3/8" Tube Fitting	Other connections are available upon request	
6L	316L SS	50	0~50 psig	20	6 mm Tube Fitting	Other connections are available upon request		20	6 mm Tube Fitting		
SS	316 SS	100	0~100 psig	21	8 mm Tube Fitting			21	8 mm Tube Fitting		
B	Brass	150	0~150 psig	Other connections are available upon request		Other connections are available upon request		Other connections are available upon request			
		200	0~200 psig								

Note: Before ordering, please read **Installation Instructions and Cautions** on A-77.

Examples of part number:

a. 2-port type (1 in, 1 out): FPR-1SU6L-15-25-00-B-20

b. 3-port type (1 in, 2 out): FPR-1STB-15-200-10-M-10-10