

60 Series High Pressure Fittings

60,000 psig (4137 bar)



Part Number Crossover Charts	Technical Information	Tools and Installation Instructions	Subsea Valves	Sour Service Products	Valves	Line Filters	Quick Couplings	Tubing	Fittings
------------------------------	-----------------------	-------------------------------------	---------------	-----------------------	--------	--------------	-----------------	--------	----------

Contents

Fittings
Tubing
Quick Couplings
Line Filters
Valves
Sour Service Products
Subsea Valves
Tools and Installation Instructions
Technical Information
Part Number Crossover Charts

Glands - HG



A-24

[Installation Instructions](#)

[H-07](#)

Collars - HCO



A-24

[Connection Information](#)

[I-02](#)

Plugs - HTP



A-24

[Ordering Number Description](#)

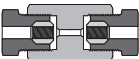
[A-28](#)

Caps - HTC



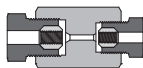
A-25

Unions - HUN



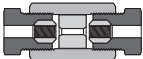
A-25

Reducing Unions - HUN



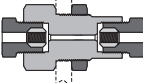
A-25

Unions (Slip Type) - HSU



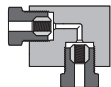
A-26

Bulkhead Unions - HBU



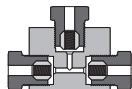
A-26

Union Elbows - HLU



A-26

Union Tees - HT



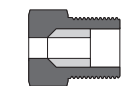
A-27

Union Crosses - HX



A-27

Anti-vibration Gland Assemblies - HAV

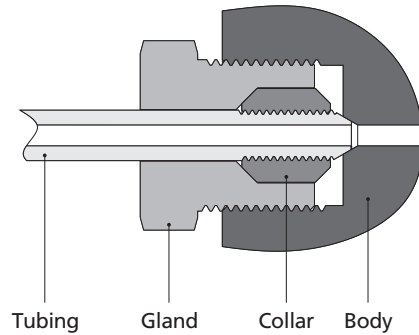


A-27

Features

- ⦿ Working pressure: 60,000 psig (4137 bar)
- ⦿ Working temperature range: -423°F to 1200°F (-252°C to 649°C)
- ⦿ Use with T60 series tubing as standard, tubing sizes available in 1/4", 3/8" and 9/16"
- ⦿ High tensile 316 stainless steel material
- ⦿ Every fitting marked with size, material and heat number

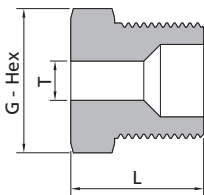
Construction



Ordering Information and Dimensions

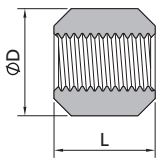
Dimensions are for reference only and are subject to change.

Glands



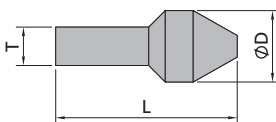
Tube			
T - Tube O.D. in.	Ordering Number	Dimensions, in. (mm)	
		G	L
1/4	SS-HG-HF4	0.63 (15.9)	0.82 (20.8)
3/8	SS-HG-HF6	0.81 (20.6)	1.13 (28.7)
9/16	SS-HG-HF9	1.19 (30.2)	1.50 (38.1)

Collars



Tube			
T - Tube O.D. in.	Ordering Number	Dimensions, in. (mm)	
		D	L
1/4	SS-HCO-HF4	0.38 (9.6)	0.38 (9.6)
3/8	SS-HCO-HF6	0.50 (12.7)	0.54 (13.7)
9/16	SS-HCO-HF9	0.81 (20.6)	0.62 (15.8)

Plugs^①

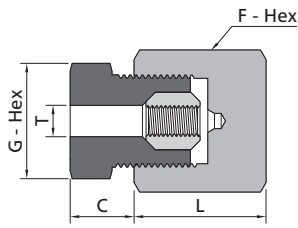


Tube			
T - Tube O.D. in.	Ordering Number	Dimensions, in. (mm)	
		D	L
1/4	SS-HTP-HF4	0.38 (9.6)	1.04 (26.4)
3/8	SS-HTP-HF6	0.50 (12.7)	1.35 (34.3)
9/16	SS-HTP-HF9	0.81 (20.6)	1.89 (48.0)

① When using plug, collar is not required.

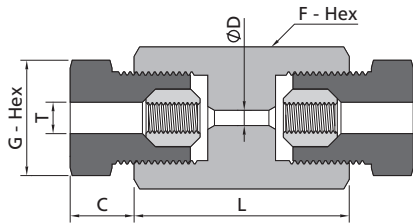
Fittings
Tubing
Quick Couplings
Line Filters
Valves
Sour Service Products
Subsea Valves
Tools and Installation Instructions
Technical Information
Part Number Crossover Charts

Caps



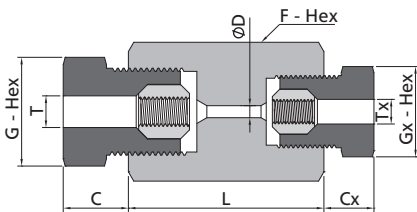
Tube		Dimensions, in. (mm)				
T - Tube O.D. in.	Ordering Number	L	C	G	F	
1/4	SS-HTC-HF4	0.75 (19.1)	0.47 (11.9)	0.63 (15.9)	0.75 (19.1)	
3/8	SS-HTC-HF6	1.13 (28.6)	0.61 (15.6)	0.81 (20.6)	1.00 (25.4)	
9/16	SS-HTC-HF9	1.38 (34.9)	0.95 (24.1)	1.19 (30.2)	1.38 (34.9)	

Unions



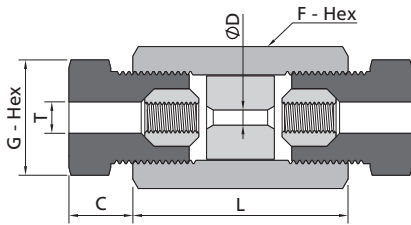
Tube		Dimensions, in. (mm)				
T - Tube O.D. in.	Ordering Number	L	C	D	G	F
1/4	SS-HUN-HF4	1.38 (34.9)	0.47 (11.9)	0.09 (2.3)	0.63 (15.9)	0.75 (19.1)
3/8	SS-HUN-HF6	1.75 (44.5)	0.61 (15.6)	0.13 (3.3)	0.81 (20.6)	1.00 (25.4)
9/16	SS-HUN-HF9	2.19 (55.6)	0.95 (24.1)	0.19 (4.8)	1.19 (30.2)	1.38 (34.9)

Reducing Unions



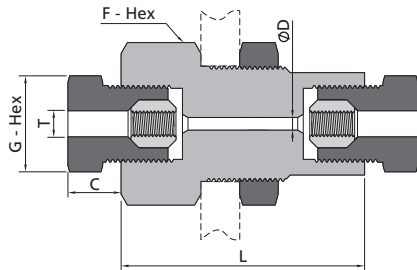
Tube			Dimensions, in. (mm)						
T - Tube O.D. in.	Tx - Tube O.D. in.	Ordering Number	L	C	Cx	D	G	Gx	F
3/8	1/4	SS-HUN-HF6-HF4	1.63 (41.3)	0.61 (15.6)	0.47 (11.9)	0.09 (2.3)	0.81 (20.6)	0.63 (15.9)	1.00 (25.4)
9/16	1/4	SS-HUN-HF9-HF4	1.75 (44.5)	0.95 (24.1)	0.47 (11.9)	0.09 (2.3)	1.19 (30.2)	0.63 (15.9)	1.38 (34.9)
9/16	3/8	SS-HUN-HF9-HF6	2.00 (50.8)	0.95 (24.1)	0.61 (15.6)	0.13 (3.3)	1.19 (30.2)	0.81 (20.6)	1.38 (34.9)

Unions (Slip Type)



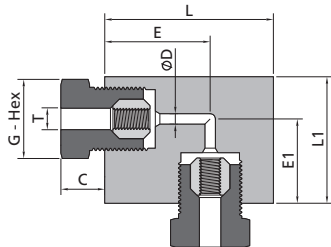
Tube		Dimensions, in. (mm)				
T - Tube O.D. in.	Ordering Number	L	C	D	G	F
1/4	SS-HSU-HF4	1.38 (34.9)	0.47 (11.9)	0.09 (2.3)	0.63 (15.9)	0.75 (19.1)
3/8	SS-HSU-HF6	1.75 (44.5)	0.61 (15.6)	0.13 (3.3)	0.81 (20.6)	1.00 (25.4)
9/16	SS-HSU-HF9	2.19 (55.6)	0.95 (24.1)	0.19 (4.8)	1.19 (30.2)	1.38 (34.9)

Bulkhead Unions



Tube		Dimensions, in. (mm)						
T - Tube O.D. in.	Ordering Number	L	C	D	G	F	Panel Hole Size	Max. Panel Thickness
1/4	SS-HBU-HF4	1.88 (47.8)	0.47 (11.9)	0.09 (2.3)	0.63 (15.9)	1.06 (27.0)	0.94 (23.9)	0.38 (9.7)
3/8	SS-HBU-HF6	2.38 (60.5)	0.61 (15.6)	0.13 (3.3)	0.81 (20.6)	1.38 (34.9)	1.13 (28.6)	0.38 (9.7)
9/16	SS-HBU-HF9	2.75 (69.9)	0.95 (24.1)	0.19 (4.8)	1.19 (30.2)	1.88 (47.6)	1.69 (42.9)	0.38 (9.7)

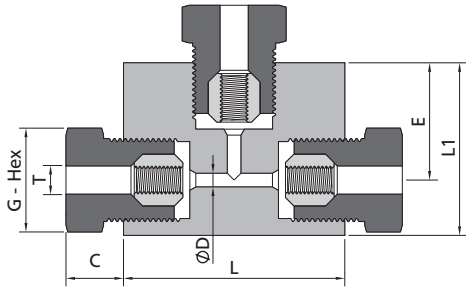
Union Elbows



Tube		Dimensions, in. (mm)							
T - Tube O.D. in.	Ordering Number	C	D	G	L	E	L1	E1	Thickness
1/4	SS-HLU-HF4	0.47 (11.9)	0.09 (2.3)	0.63 (15.9)	1.50 (38.1)	0.88 (22.4)	1.00 (25.4)	0.62 (15.7)	0.75 (19.1)
3/8	SS-HLU-HF6	0.61 (15.6)	0.13 (3.3)	0.81 (20.6)	2.00 (50.8)	1.25 (31.8)	1.50 (38.1)	1.00 (25.4)	1.00 (25.4)
9/16	SS-HLU-HF9	0.95 (24.1)	0.19 (4.8)	1.19 (30.2)	2.62 (66.5)	1.88 (47.8)	1.88 (47.8)	1.12 (28.4)	1.50 (38.1)

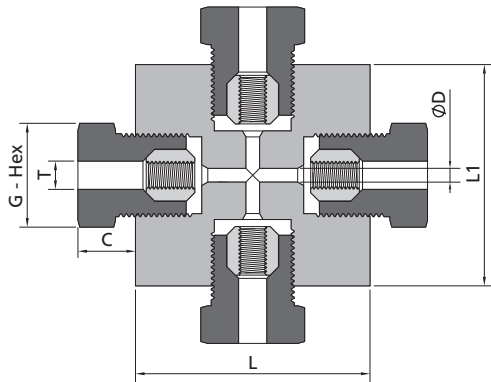
Fittings
Tubing
Quick Couplings
Line Filters
Valves
Sour Service Products
Subsea Valves
Tools and Installation Instructions
Technical Information
Part Number Crossover Charts

Union Tees



Tube								
T - Tube O.D. in.	Ordering Number	Dimensions, in. (mm)						
		C	D	G	L	L1	E	Thickness
1/4	SS-HT-HF4	0.47 (11.9)	0.09 (2.3)	0.63 (15.9)	2.00 (50.8)	1.25 (31.8)	0.88 (22.4)	0.75 (19.1)
3/8	SS-HT-HF6	0.61 (15.6)	0.13 (3.3)	0.81 (20.6)	2.00 (50.8)	1.56 (39.6)	1.06 (26.9)	1.00 (25.4)
9/16	SS-HT-HF9	0.95 (24.1)	0.19 (4.8)	1.19 (30.2)	2.62 (66.5)	2.12 (53.8)	1.38 (35.0)	1.50 (38.1)

Union Crosses



Tube								
T - Tube O.D. in.	Ordering Number	Dimensions, in. (mm)						
		C	D	G	L	L1	Thickness	
1/4	SS-HX-HF4	0.47 (11.9)	0.09 (2.3)	0.63 (15.9)	2.00 (50.8)	1.25 (31.8)	0.75 (19.1)	
3/8	SS-HX-HF6	0.61 (15.6)	0.13 (3.3)	0.81 (20.6)	2.00 (50.8)	2.12 (53.8)	1.00 (25.4)	
9/16	SS-HX-HF9	0.95 (24.1)	0.19 (4.8)	1.19 (30.2)	2.62 (66.5)	2.75 (69.9)	1.50 (38.1)	

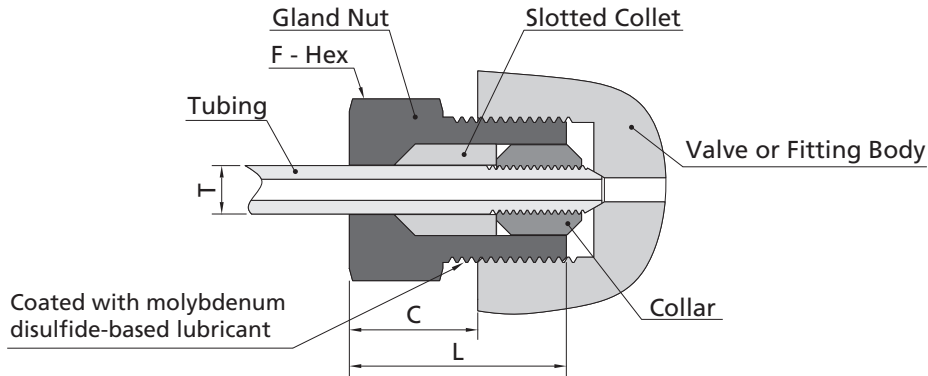
Anti-vibration Gland Assemblies

Working pressure: 60,000 psig (4137 bar)

Tubing systems may be subject to extreme vibration or shock. In such applications, these assemblies provide the same reliable connection as standard FITOK glands to essentially prolong vibrational fatigue life.

A complete ordering number for anti-vibration gland assembly (for example: SS-HAV-HF4) includes gland nut and slotted collet. These two parts can also be ordered separately, as shown in the tables below. To order components with anti-vibration gland assemblies, add "-AV" to ordering number.

Fittings
 Tubing
 Quick Couplings
 Line Filters
 Valves
 Sour Service Products
 Subsea Valves
 Tools and Installation Instructions
 Technical Information
 Part Number Crossover Charts



Tube					
Anti-vibration Gland Assemblies	T - Tube O.D. in.	Ordering Number	Dimensions, in. (mm)		
			L	C	F
	1/4	SS-HAV-HF4	0.81 (20.6)	0.47 (11.9)	0.63 (15.9)
	3/8	SS-HAV-HF6	1.12 (28.4)	0.61 (15.6)	0.81 (20.6)
	9/16	SS-HAV-HF9	1.50 (38.1)	0.95 (24.1)	1.19 (30.2)

Tube		
Gland Nut	T - Tube O.D. in.	Ordering Number
	1/4	SS-HAV-HF4-G
	3/8	SS-HAV-HF6-G
	9/16	SS-HAV-HF9-G

Tube		
Slotted Collet	T - Tube O.D. in.	Ordering Number
	1/4	SS-HAV-HF4-SC
	3/8	SS-HAV-HF6-SC
	9/16	SS-HAV-HF9-SC

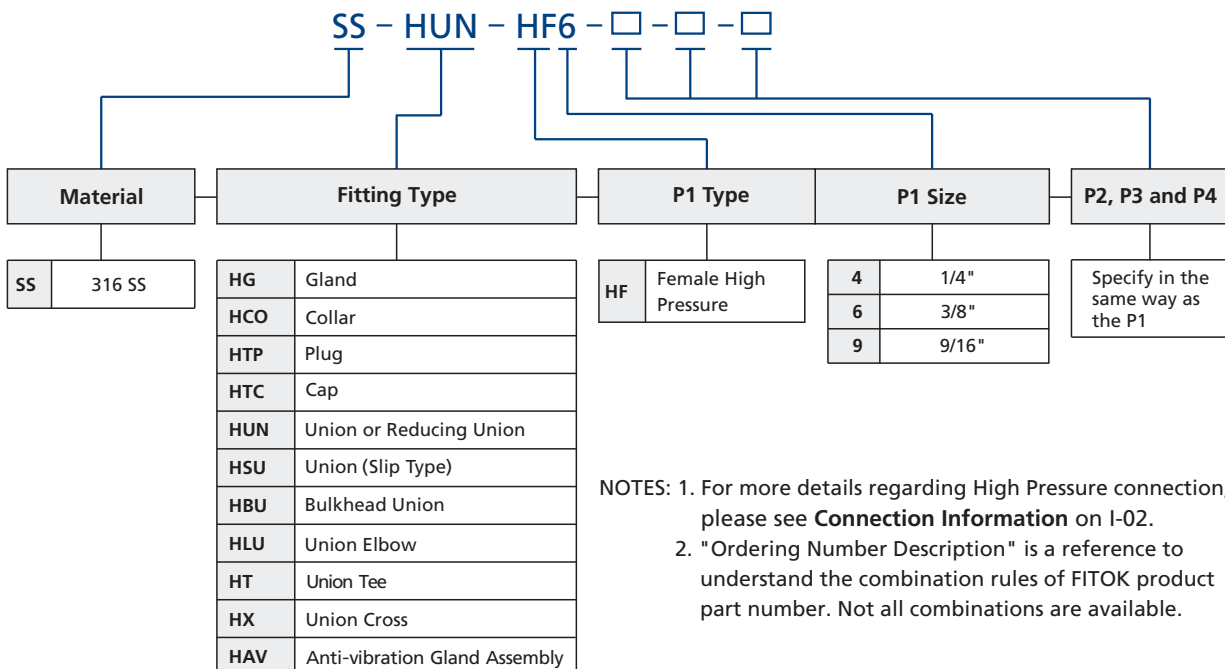
Installation Instructions

Please see H-07.

Connection Information

Please see I-02.

Ordering Number Description



Fittings
Tubing
Quick Couplings
Line Filters
Valves
Sour Service Products
Subsea Valves
Tools and Installation Instructions
Technical Information
Part Number Crossover Charts